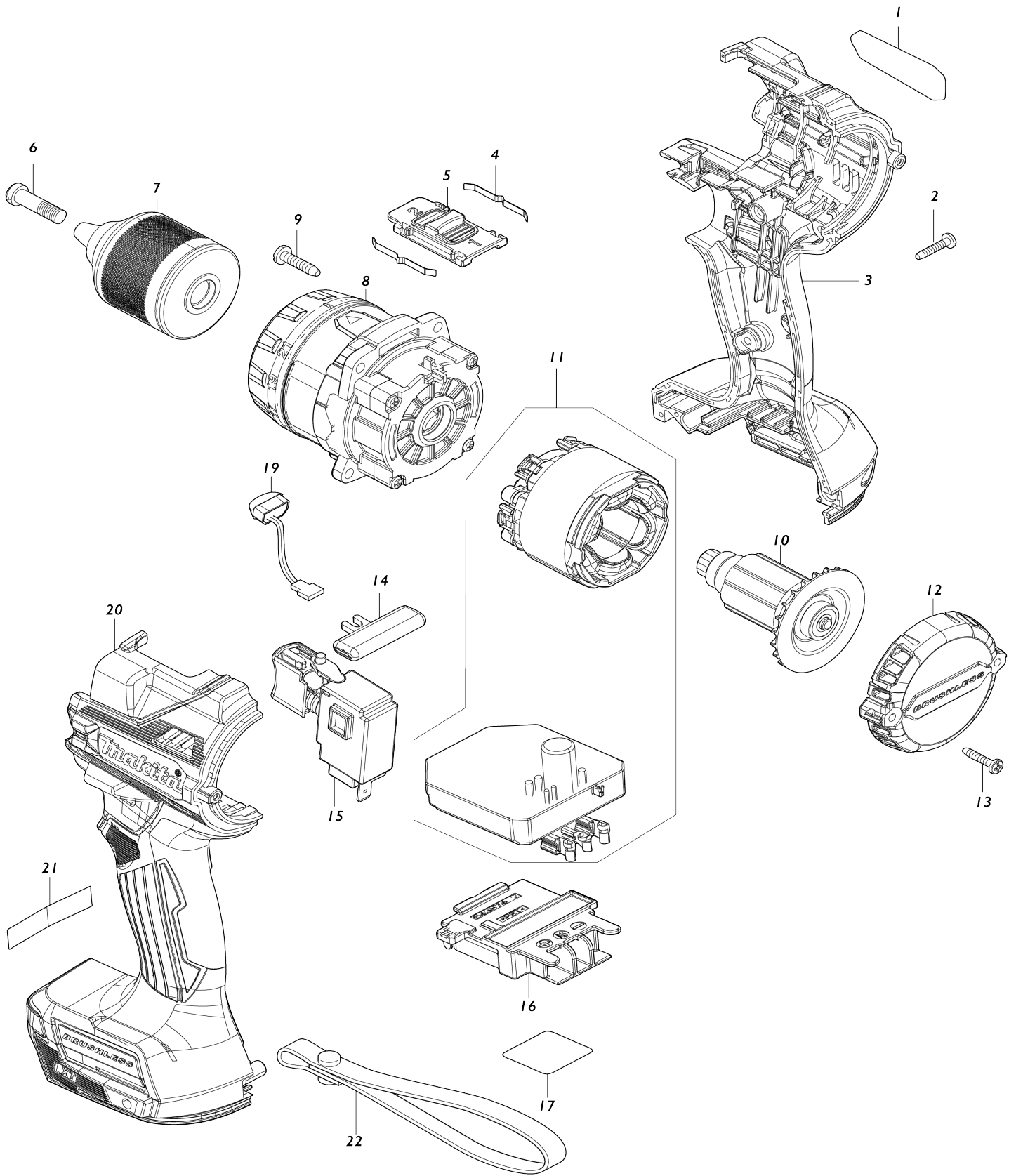


# Model No.DDF486 CORDLESS HAMMER DRIVER DRILL



Model No.DDF486 CORDLESS HAMMER DRIVER DRILL

Item No.	Parts No.	Description	Interchangability	Q'ty	New/Old	Sales Price (BGN)	Purchase Price(BGN)	Note1	Note2
001	811B51-8	DDF486 NAME PLATE		1					
002	266130-9	TAPPING SCREW BIND PT 3X16		7		0,29		Z72	94
003	183R83-4	HOUSING SET		1					
C10	263005-3	RUBBER PIN 6		2		0,29		Z52	23
C20	252126-6	HEX. LOCK NUT M4-7		2		0,60		02443B	4
003		INC. 20							
004	232220-0	LEAF SPRING		2		0,29		N117	14
005	127494-5	SPEED CHANGE LEVER ASSEMBLY		1		2,00		01A12B	6
C10	233438-6	COMPRESSION SPRING 4		2		0,29		02321B	1
006	251468-5	- FLAT HEAD SCREW M6X22		1		0,36		02322A	153
007	763252-1	KEYLESS DRILL CHUCK 13		1		55,00		15224A	8
008	127699-7	GEAR ASSEMBLY		1	*				
008-1	122B69-7	GEAR ASSEMBLY	<	1	*	171,93		W0711B	4
008-2	122D49-5	GEAR ASSEMBLY	O	1		144,00		W0723	3
009	266326-2	TAPPING SCREW 4X18		4	*	0,29		STOCK	0
009-1	265B67-9	TAPPING SCREW 4X18	O	4		0,06		02841A	1
010	619656-4	ROTOR		1	*	65,00		06B32	4
010-1	619656-4	ROTOR	O	1		65,00		06B32	4
011	629A33-8	STATOR COMPLETE		1	*	198,00		06517	0
011-1	629B79-0	STATOR COMPLETE	O	1	*				
011-2	629C05-5	STATOR COMPLETE	<	1	*	230,00		06201	8
011-3	629C97-4	STATOR COMPLETE	<	1	*				
011-4	629D26-3	STATOR COMPLETE	<	1	*				
011-5	629D46-7	STATOR COMPLETE	<	1					
012	413405-9	REAR COVER		1					
013	266130-9	TAPPING SCREW BIND PT 3X16		2		0,29		Z72	94
014	419041-9	F/R CHANGE LEVER		1		1,00		04312B	24
015	651443-5	SWITCH C3JR-4B		1		33,60		07623B	10
016	643874-2	TERMINAL		1		5,61		07224B	11
017	811B59-2	DDF486 SERIAL NO. LABEL		1					
019	620549-0	LED CIRCUIT		1		5,56		07642A	1
020	183R83-4	HOUSING SET		1					
C10	263005-3	RUBBER PIN 6		2		0,29		Z52	23
C20	252126-6	HEX. LOCK NUT M4-7		2		0,60		02443B	4
020		INC. 3							
A01	127702-4	GRIP ASSEMBLY		1	*				
C10	140U91-6	POLE COMPLETE		1	*				
C20	140X19-2	ARM R COMPLETE		1	*				
C30	266886-4	HEX. BOLT M8X65		1	*				
C40	312A63-3	ARM L		1	*				
C50	962055-2	RETAINING RING (INT) R-15		1	*				
A01-1	122C02-5	GRIP ASSEMBLY	<	1	*				
C10	140U91-6	POLE COMPLETE		1	*				
C20	140X19-2	ARM R COMPLETE		1	*				
C30	266886-4	HEX. BOLT M8X65		1	*				
C40	312C73-2	ARM L		1	*				
C50	962055-2	RETAINING RING (INT) R-15		1	*				

A01-2	122F13-8	GRIP ASSEMBLY	O	1				
C10	141R99-5	POLE COMPLETE		1				
C20	140X19-2	ARM R COMPLETE		1				
C30	266886-4	HEX. BOLT M8X65		1				
C40	312C73-2	ARM L		1				
C50	962055-2	RETAINING RING (INT) R-15		1				
A02	251314-2	+ TRUSS HEAD SCREW M4X12		2		0,29	N143	60
A03	346317-0	HOOK		1		3,50	03503	170
A04	452947-8	BIT HOLDER		1		0,48	04544B	25
A05	784637-8	+ - BIT 2-45		2		2,84	STOCK	0
A06	821550-0	CONNECTOR PLASTIC CASE (TYPE2)		1		60,00	A112	91
C10	453974-8	LATCH		4		0,83	03622A	12
A07	8030Y7-8	DDF486RTJ PLASTIC CASE LABEL		2	*			
A08	8030Y6-0	DDF486RTJ INDICATION LABEL		1				
A09	837916-4	INNER TRAY		1		14,00	12152	20
A10	450128-8	BATTERY COVER		1		2,84	W2323	2
A11	***DC18RC	DC18RC FAST CHARGER		1				
A11		COMPO-PARTS						
A12	197280-8	BATTERY BL1850B SET		2				

Please state Parts No. when your order.

Print Date 24.01.2025 r.